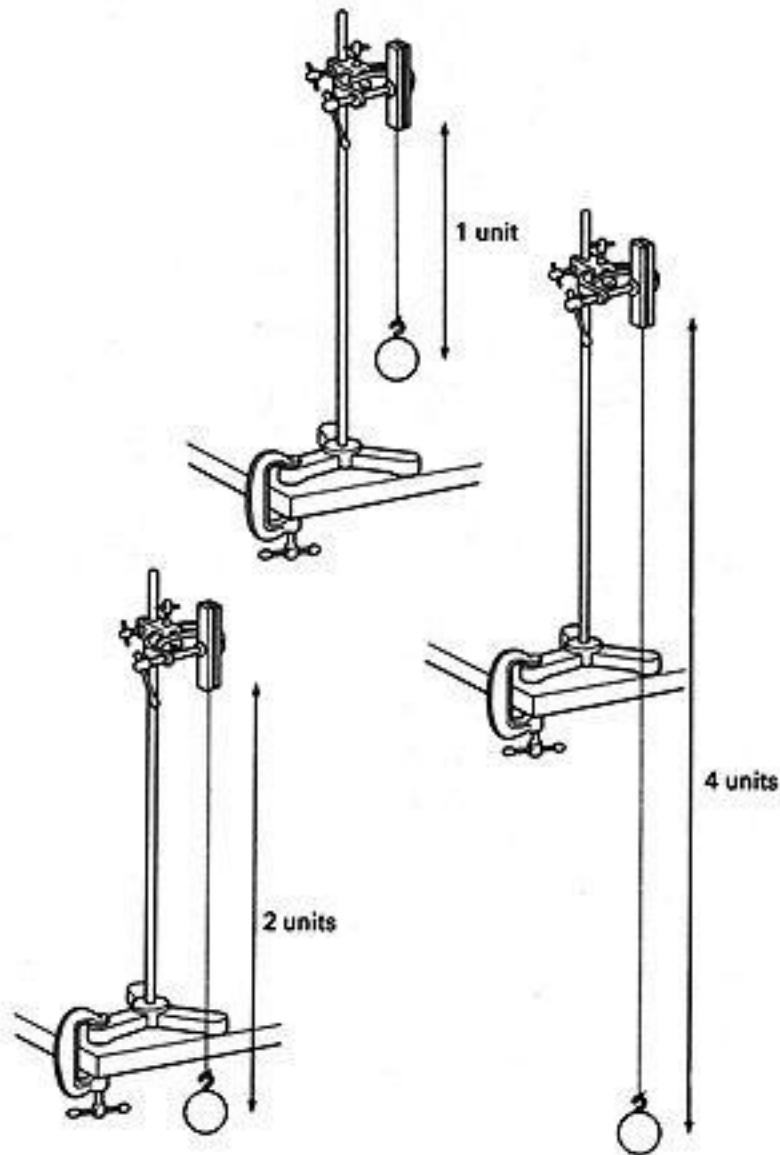


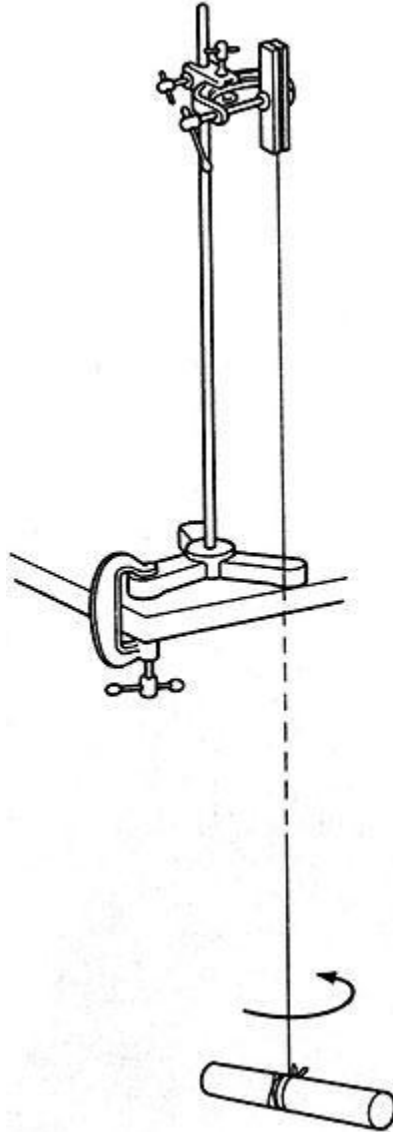
Examples of simple harmonic motion

Apparatus and materials

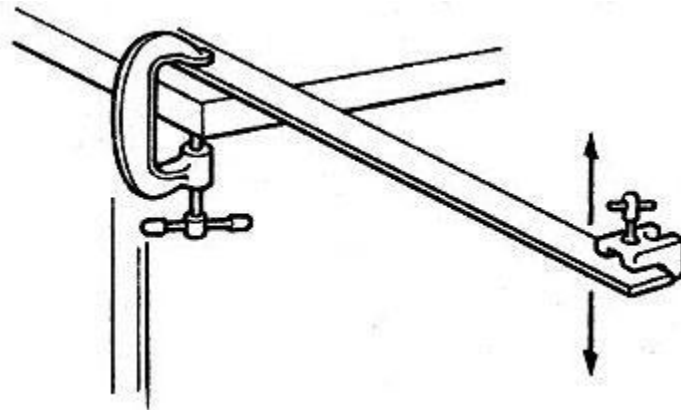
SLO # 10.1.2



Simple Pendulum



Torsional Pendulum



Vibrating Lath

SLO # 10.1.2



Rolling ball in a bowl

- Steel ball or marble ball or glass ball
- Bowl, shallow and spherical